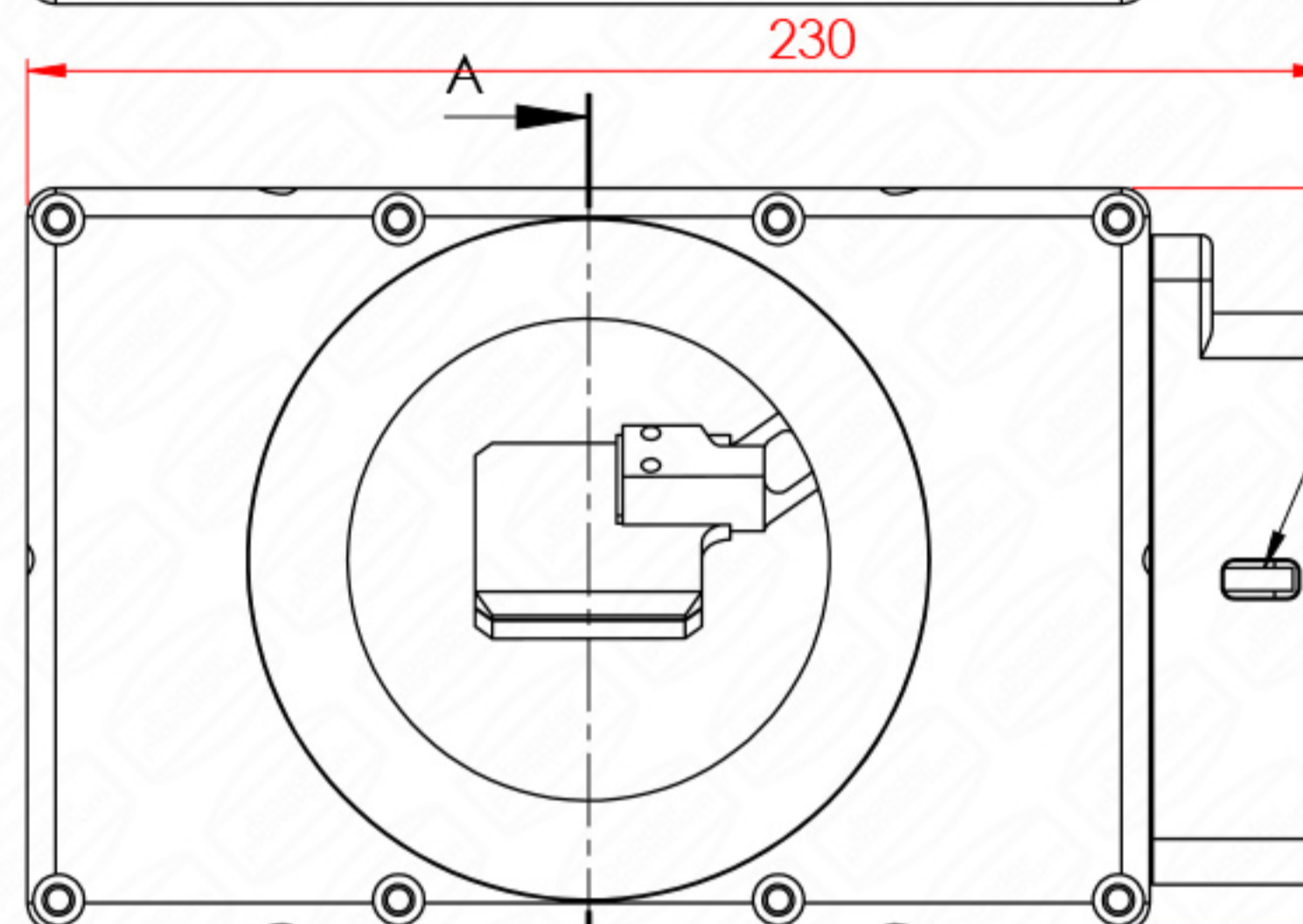
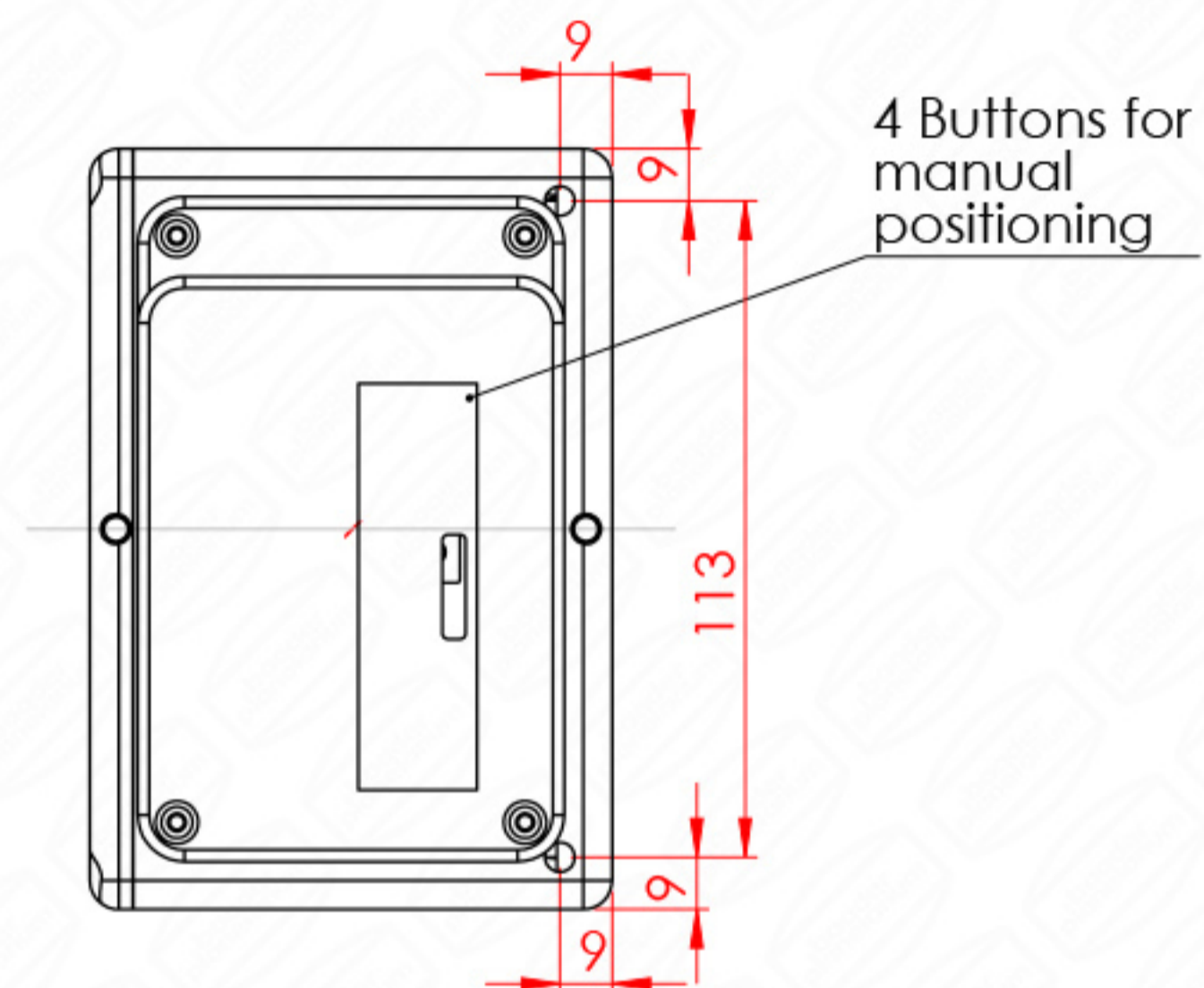
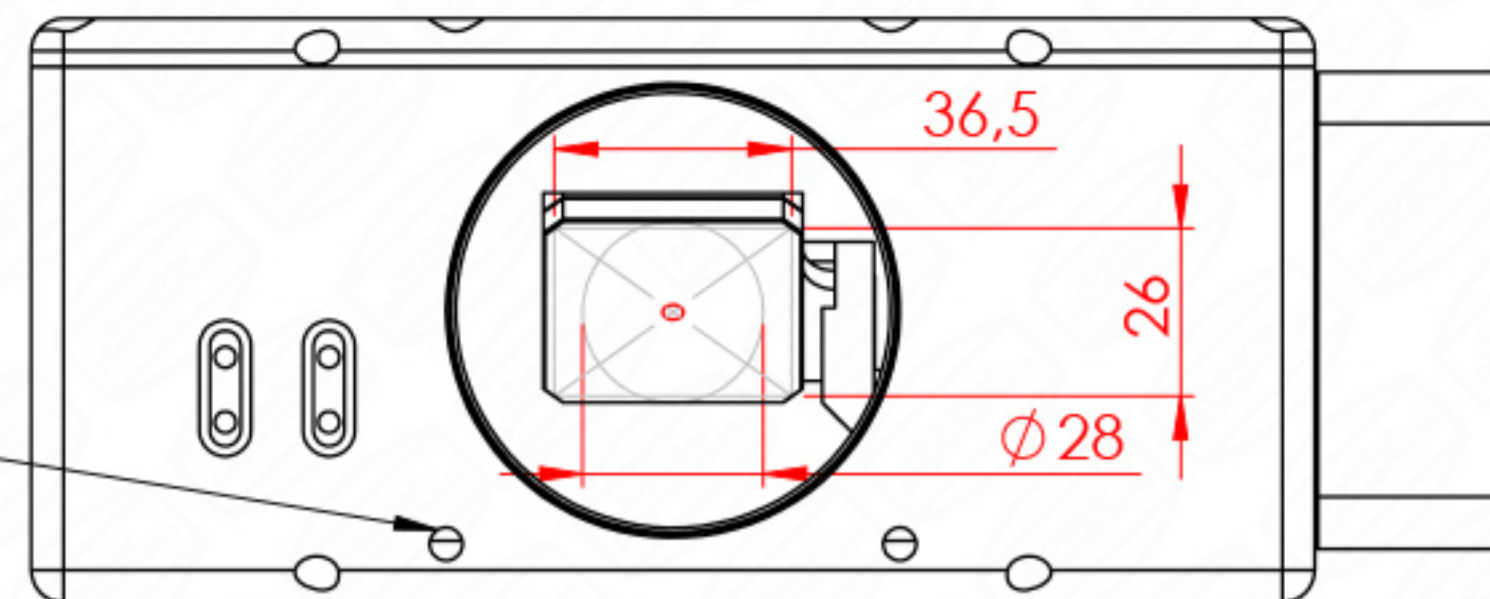


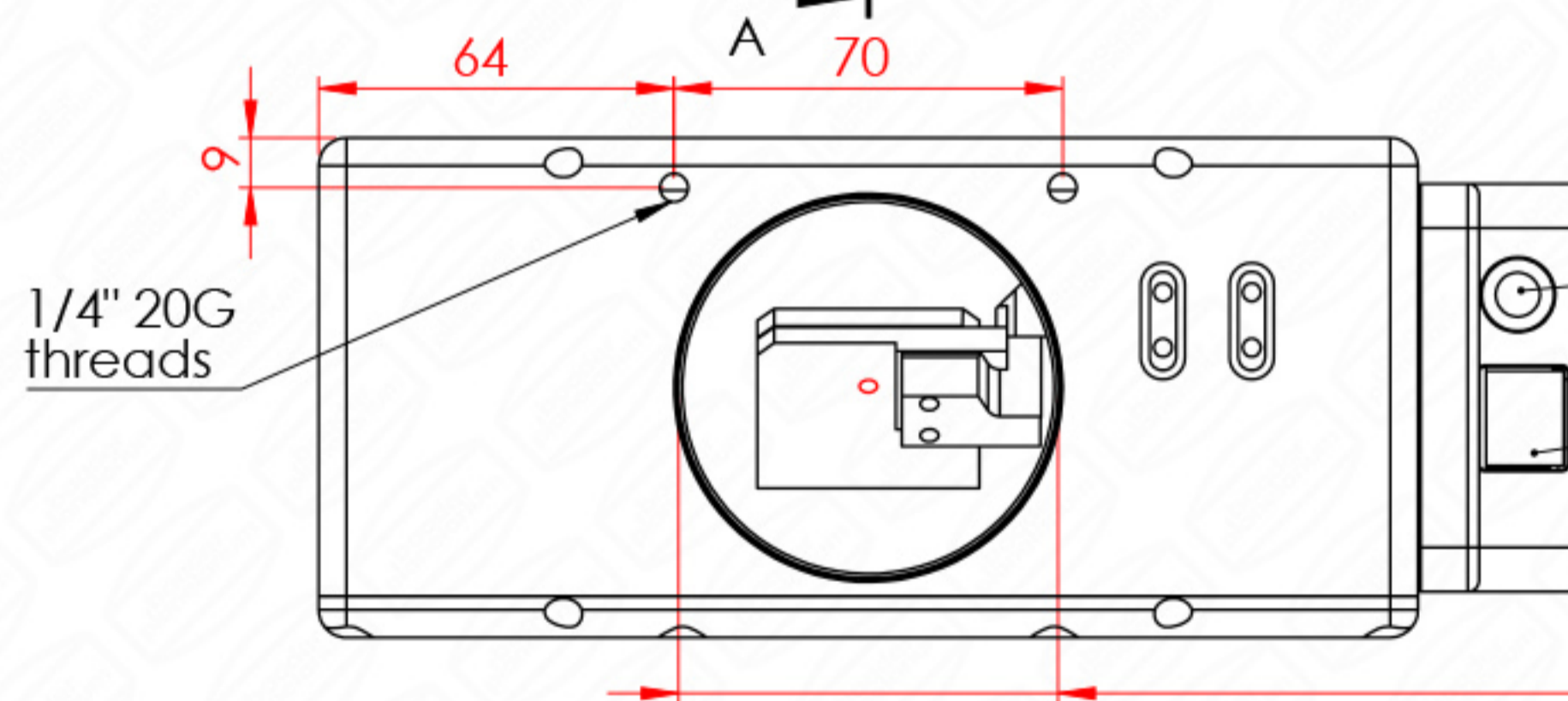
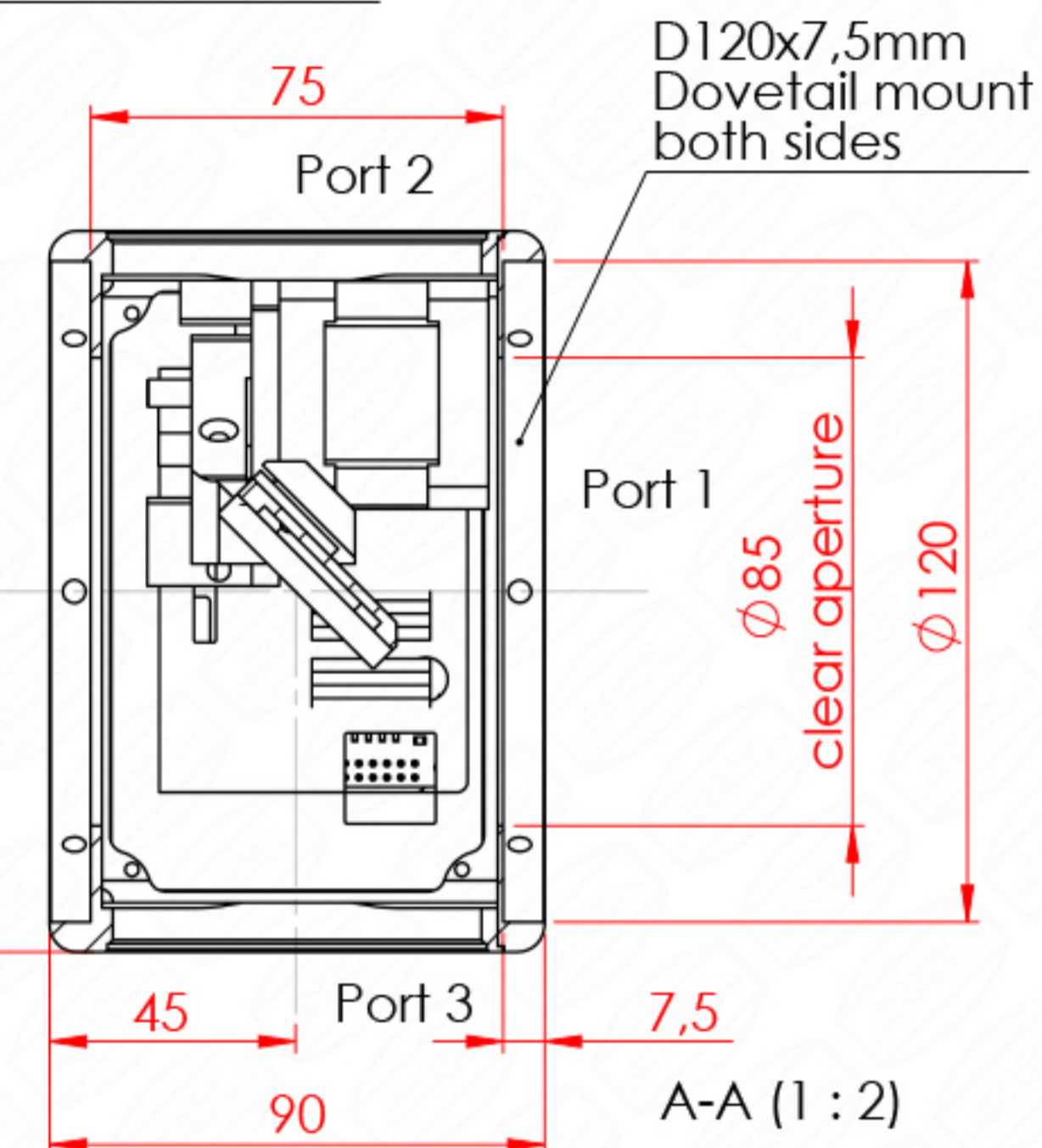
IMP - Instrument Multi Port

Port	Backfocus	clear aperture
1	90mm	85mm
2	110,5mm	67mm
3	110.5mm	67mm

2x each side 1/4" 20G threads for fastening accessories like balancing weight assemblies



USB Port Programming only



12V 1.5A Power Port for 5.5/2.1mm plugs

RJ45 Network Port Default IP: 192.168.1.85

M68x1 (8mm deep) metrical thread

